

# TALAS

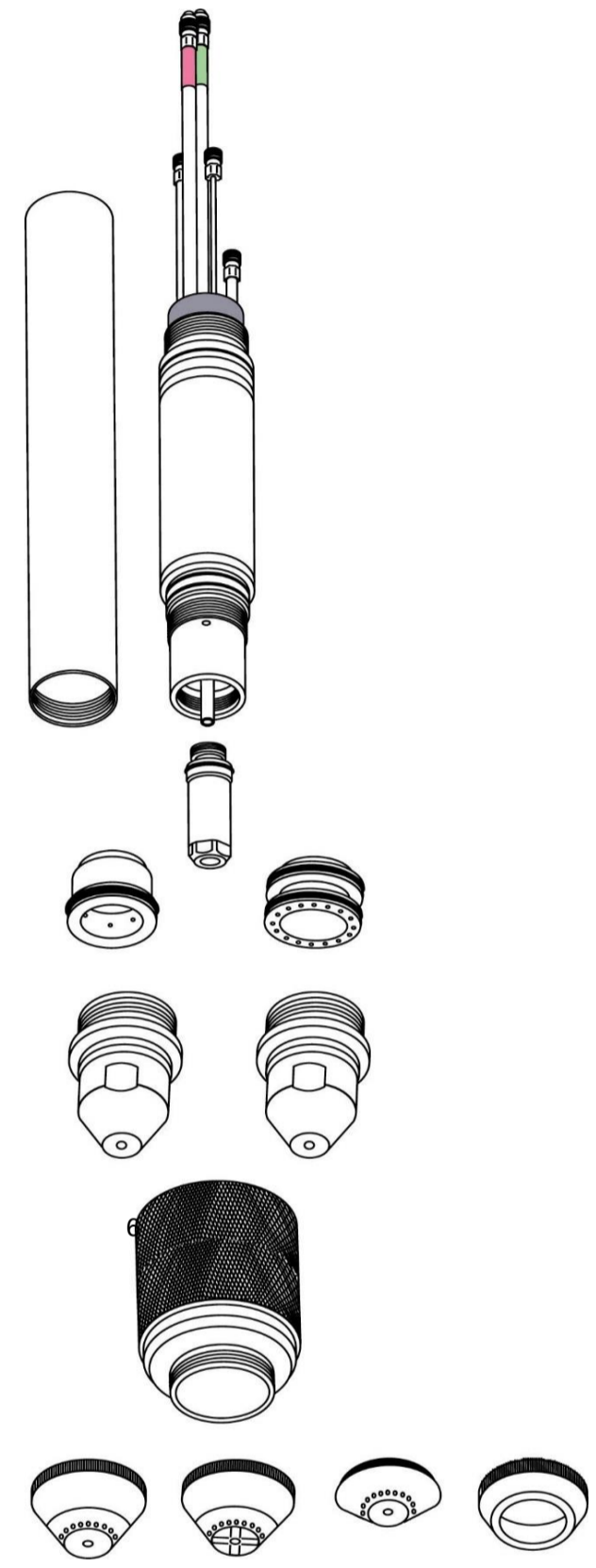
Paardenkerkhofstraat 56 B-2800 Mechelen  
 Tel. +32(0)15.61.60.07 Fax. +32(0)15.61.75.27  
 Email. info@talas.be www.talas.be



MAX200®



Item No.	Pkg Qty	Centricut Part #	Ref Number	Description		
2	1	H32-446	020446	Shield, Hand, Air, O2, N2, 200 Amp		
1	1	H32-424	020424	Shield, Machine, Air, O2, N2, 200 Amp		
	1	C32-924	020424	Shield, Machine, Air, O2, N2, 200 Amp	21,56 €	21pcs
	1	H32-448	020448	Shield, Air, N2, ArH2, 100 Amp		
	1	H32-602	020602	Shield, ArH2, 200 Amp		
	1	H32-918	020918	Shield, Hand, ArH2, 200 Amp		
4	1	H32-688	020688	Shield, Machine, Air, 40 Amp		
3	1	H32-566	020566	Shield, Water Muffler, 200 Amp		
	1	H32-618	020618	Shield, Water Muffler, 100 Amp		
	1	H32-485	020485	Shield, Gouging		
5	1	H32-423	020423	Retaining Cap		
6	1	C32-608	020608	Nozzle, Air, N2, ArH2, .086, 200 Amp		
	1	C32-611	020611	Nozzle, Air, N2, ArH2, .059, 100 Amp		
	1	C32-689	020689	Nozzle, Air, .038, 40 Amp		
7	1	C32-605	020605	Nozzle, O2, .082, 200 Amp		
	1	C32-616	020616	Nozzle, O2, .055, 100 Amp		
	5	H32-615	020615	Nozzle, Gouging		
8	1	C32-907	020607	Swirl Ring, Air, N2, ArH2, 100/200 Amp		
	1	H32-607	020607	Swirl Ring, Air, N2, ArH2, 100 Amp, 200		
	1	H32-613	020613	Swirl Ring, Air, 40 Amp, O2, 100 Amp	18,63 €	5pcs
9	1	H32-604	020604	Swirl Ring, O2, 200 Amp		
	1	H32-617	020617	Swirl Ring, O2, 100 Amp		
	1	HYP-7055	027055	O-Ring Lube		
10	1	C32-414	020414	Electrode, Air/O2	12,59 €	14pcs
	1	C32-415	020415	Electrode, N2, ArH2		
11	1	H32-584	120584	Torch Body, 180°		
	1	H32-963	020963	Water Tube		
	5	C32-027	044027	O-Ring		
12	1	C32-431	020431	Double Threaded Mounting Tube		



Reference to the above-named machines, torches, and reference numbers are for convenience only. All products with a "C" in the part number are manufactured by or for Centricut, LLC. The use of other prefixes indicate parts manufactured by the above-named OEM, which are simply being resold by Centricut, LLC., and will be supplied in OEM packaging.